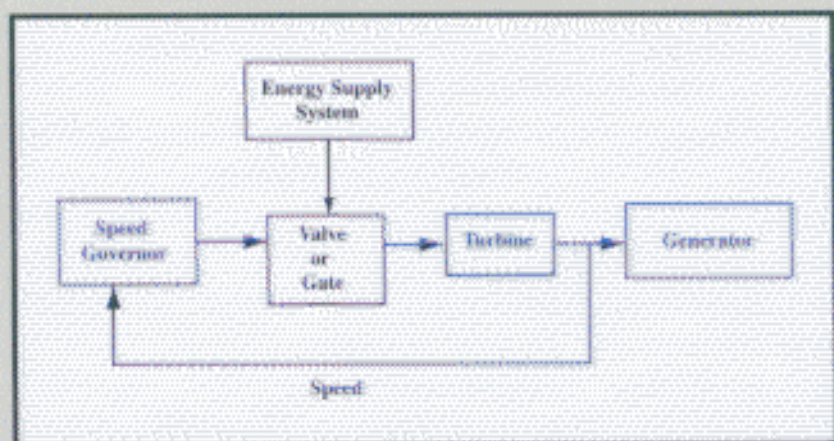


# Electric Systems, Dynamics, and Stability with Artificial Intelligence Applications



**James A. Momoh**  
**Mohamed E. El-Hawary**

Suranaree University of Technology



31051000601357

# Contents

<i>Series Introduction</i>	H. Lee Willis	v
<i>Preface</i>		vii
<b>1</b>	<b>Introduction</b>	<b>1</b>
1.1	Historical Background	1
1.2	Structure at a Generic Electric Power System	3
1.3	Power System Security Assessment	7
<b>2</b>	<b>Static Electric Network Models</b>	<b>10</b>
	Introduction	10
2.1	Complex Power Concepts	11
2.2	Three-Phase Systems	14
2.3	Synchronous Machine Modeling	21
2.4	Reactive Capability Limits	31
2.5	Static Load Models	32
	Conclusions	35
<b>3</b>	<b>Dynamic Electric Network Models</b>	<b>36</b>
	Introduction	36
3.1	Excitation System Model	36
3.2	Prime Mover and Governing System Models	40
		ix

3.3	Modeling of Loads	43
	Conclusions	44
<b>4</b>	<b>Philosophy of Security Assessment</b>	<b>45</b>
	Introduction	45
4.1	The Swing Equation	46
4.2	Some Alternative Forms	47
4.3	Transient and Subtransient Reactances	50
4.4	Synchronous Machine Model in Stability Analysis	55
4.5	Subtransient Equations	59
4.6	Machine Models	59
4.7	Groups of Machines and the Infinite Bus	63
4.8	Stability Assessment	63
4.9	Concepts in Transient Stability	68
4.10	A Method for Stability Assessment	71
4.11	Mathematical Models and Solution Methods in Transient Stability Assessment for General Networks	82
4.12	Integration Techniques	89
4.13	The Transient Stability Algorithm	98
	Conclusions	108
<b>5</b>	<b>Assessing Angle Stability via Transient Energy Function</b>	<b>109</b>
	Introduction	109
5.1	Stability Concepts	110
5.2	System Model Description	117
5.3	Stability of a Single-Machine System	118
5.4	Stability Assessment for $n$ -Generator System by the TEF Method	121
5.5	Application to a Practical Power System	126
5.6	Boundary of the Region of Stability	127
	Conclusion	131
<b>6</b>	<b>Voltage Stability Assessment</b>	<b>132</b>
	Introduction	132
6.1	Working Definition of Voltage Collapse Study Terms	134
6.2	Typical Scenario of Voltage Collapse	135
6.3	Time-Frame Voltage Stability	136
6.4	Modeling for Voltage Stability Studies	136
6.5	Voltage Collapse Prediction Methods	138
6.6	Classification of Voltage Stability Problems	138
6.7	Voltage Stability Assessment Techniques	140

6.8	Analysis Techniques for Steady-State Voltage Stability Studies	145
6.9	Parameterization	151
6.10	The Technique of Modal Analysis	156
6.11	Analysis Techniques for Dynamic Voltage Stability Studies	157
	Conclusion	169
	Modal Analysis: Worked Example	170
<b>7</b>	<b>Technology of Intelligent Systems</b>	<b>175</b>
	Introduction	175
7.1	Fuzzy Logic and Decision Trees	177
7.2	Artificial Neural Networks	177
7.3	Robust Artificial Neural Network	184
7.4	Expert Systems	191
7.5	Fuzzy Sets and Systems	206
7.6	Expert Reasoning and Approximate Reasoning	214
	Conclusion	220
<b>8</b>	<b>Application of Artificial Intelligence to Angle Stability Studies</b>	<b>221</b>
	Introduction	221
8.1	ANN Application in Transient Stability Assessment	222
8.2	A Knowledge-Based System for Direct Stability Analysis	238
	Conclusions	257
<b>9</b>	<b>Application of Artificial Intelligence to Voltage Stability Assessment and Enhancement to Electrical Power Systems</b>	<b>259</b>
	Introduction	259
9.1	ANN-Based Voltage Stability Assessment	260
9.2	ANN-Based Voltage Stability Enhancement	265
9.3	A Knowledge-Based Support System for Voltage Collapse Detection and Prevention	272
9.4	Implementation for KBVCDP	278
9.5	Utility Environment Application	287
	Conclusion	287
<b>10</b>	<b>Epilogue and Conclusions</b>	<b>289</b>
	<i>Glossary</i>	298
	<i>Appendix: Chapter Problems</i>	311
	<i>Bibliography</i>	332
	<i>Index</i>	351