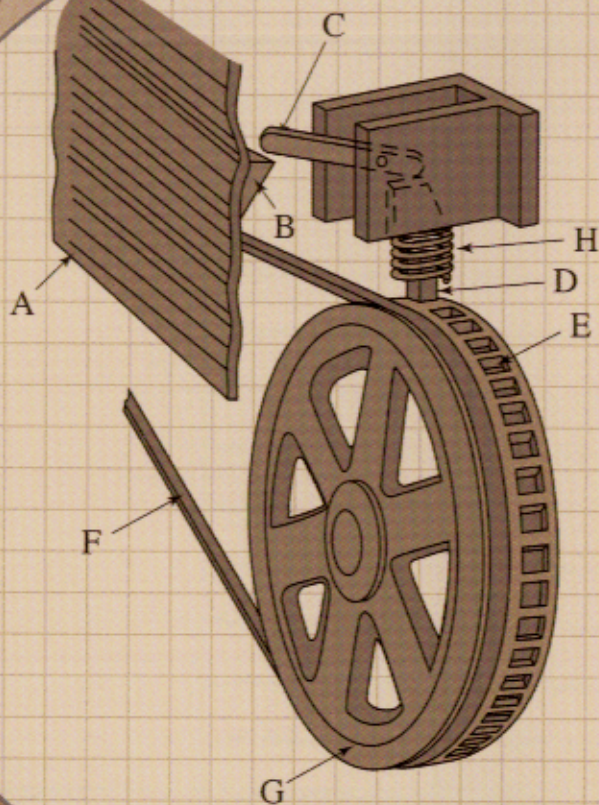


INTERNATIONAL EDITION



Machines & Mechanisms

APPLIED KINEMATIC ANALYSIS

Third Edition

David H. Myszka

Contents

Chapter 1	Introduction to Mechanisms and Kinematics	1
	OBJECTIVES	1
1.1	INTRODUCTION	1
1.2	MACHINES AND MECHANISMS	2
1.3	KINEMATICS	3
1.4	MECHANISM TERMINOLOGY	3
1.5	KINEMATIC DIAGRAMS	6
1.6	KINEMATIC INVERSION	10
1.7	MOBILITY	11
	1.7.1 Gruebler's Equation	11
	1.7.2 Actuators and Drivers	16
1.8	COMMONLY USED LINKS AND JOINTS	20
	1.8.1 Eccentric Crank	20
	1.8.2 Pin-in-a-Slot Joint	20
	1.8.3 Screw Joint	21
1.9	SPECIAL CASES OF THE MOBILITY EQUATION	23
	1.9.1 Coincident Joints	23
	1.9.2 Exceptions to the Gruebler Equation	26
1.10	THE FOUR-BAR MECHANISM	26
	1.10.1 Grashof's Criterion	27
	1.10.2 Double Crank	28
	1.10.3 Crank-Rocker	28
	1.10.4 Double Rocker	28
	1.10.5 Change Point Mechanism	28
	1.10.6 Triple Rocker	29
1.11	SLIDER-CRANK MECHANISM	31
1.12	TECHNIQUES OF MECHANISM ANALYSIS	32
	1.12.1 Traditional Drafting Techniques	32
	1.12.2 CAD Systems	32

1.12.3 Analytical Techniques	33
1.12.4 Computer Methods	33
PROBLEMS	34
CASE STUDIES	40

Chapter 2 Building Computer Models of Mechanisms Using Working Model® Software 42

OBJECTIVES	42
2.1 INTRODUCTION	42
2.2 COMPUTER SIMULATION OF MECHANISMS	42
2.3 OBTAINING WORKING MODEL SOFTWARE	43
2.4 USING WORKING MODEL TO MODEL A FOUR-BAR MECHANISM	43
2.5 USING WORKING MODEL TO MODEL A SLIDER-CRANK MECHANISM	51
PROBLEMS	57
CASE STUDIES	59

Chapter 3 Vectors 60

OBJECTIVES	60
3.1 INTRODUCTION	60
3.2 SCALARS AND VECTORS	60
3.3 GRAPHICAL VECTOR ANALYSIS	61
3.4 DRAFTING TECHNIQUES REQUIRED IN GRAPHICAL VECTOR ANALYSIS	61
3.5 CAD KNOWLEDGE REQUIRED IN GRAPHICAL VECTOR ANALYSIS	62
3.6 TRIGONOMETRY REQUIRED IN ANALYTICAL VECTOR ANALYSIS	62
3.6.1 Right Triangle	63
3.6.2 Oblique Triangle	65
3.7 VECTOR MANIPULATION	69
3.8 GRAPHICAL VECTOR ADDITION (+>)	69
3.9 ANALYTICAL VECTOR ADDITION (+>): TRIANGLE METHOD	72
3.10 COMPONENTS OF A VECTOR	74
3.11 ANALYTICAL VECTOR ADDITION (+>): COMPONENT METHOD	76
3.12 VECTOR SUBTRACTION (\geq)	79
3.13 GRAPHICAL VECTOR SUBTRACTION (\geq)	80

3.14	ANALYTICAL VECTOR SUBTRACTION (\geq): TRIANGLE METHOD	83
3.15	ANALYTICAL VECTOR SUBTRACTION (\geq): COMPONENT METHOD	84
3.16	VECTOR EQUATIONS	86
3.17	APPLICATIONS OF VECTOR EQUATIONS	89
3.18	GRAPHICAL DETERMINATION OF VECTOR MAGNITUDES	90
3.19	ANALYTICAL DETERMINATION OF VECTOR MAGNITUDES	94
	PROBLEMS	96
	CASE STUDIES	101

Chapter 4 Position and Displacement Analysis 103

	OBJECTIVES	103
4.1	INTRODUCTION	103
4.2	POSITION	104
	4.2.1 Position of a Point	104
	4.2.2 Angular Position of a Link	105
	4.2.3 Position of a Mechanism	105
4.3	DISPLACEMENT	105
	4.3.1 Linear Displacement	105
	4.3.2 Angular Displacement	106
4.4	DISPLACEMENT ANALYSIS	107
4.5	DISPLACEMENT: GRAPHICAL ANALYSIS	107
	4.5.1 Displacement of a Single Driving Link	107
	4.5.2 Displacement of the Remaining Slave Links	108
4.6	POSITION: ANALYTICAL ANALYSIS	115
	4.6.1 Closed-Form Position Analysis Equations for an In-Line Slider-Crank	118
	4.6.2 Closed-Form Position Analysis Equations for an Offset Slider-Crank	121
	4.6.3 Closed-Form Position Equations for a Four-Bar Linkage	126
	4.6.4 Circuits of a Four-Bar Linkage	126
4.7	LIMITING POSITIONS: GRAPHICAL ANALYSIS	127
4.8	LIMITING POSITIONS: ANALYTICAL ANALYSIS	132
4.9	COMPLETE CYCLE: GRAPHICAL POSITION ANALYSIS	135
4.10	COMPLETE CYCLE: ANALYTICAL POSITION ANALYSIS	138

4.11	DISPLACEMENT DIAGRAMS	141
4.12	COUPLER CURVES	144
	PROBLEMS	144
	CASE STUDIES	153

Chapter 5 Mechanism Design 155

	OBJECTIVES	155
5.1	INTRODUCTION	155
5.2	TIME RATIO	156
5.3	DESIGN OF SLIDER-CRANK MECHANISMS	157
	5.3.1 In-Line Slider-Crank Mechanism	157
	5.3.2 Offset Slider-Crank Mechanism	158
5.4	DESIGN OF CRANK-ROCKER MECHANISMS	161
5.5	MECHANISM TO MOVE A LINK BETWEEN TWO POSITIONS	164
	5.5.1 Two-Point Synthesis with a Pivoting Link	164
	5.5.2 Two-Point Synthesis of the Coupler of a Four-Bar Mechanism	165
5.6	MECHANISM TO MOVE A LINK BETWEEN THREE POSITIONS	166
	PROBLEMS	167
	CASE STUDIES	169

Chapter 6 Velocity Analysis 171

	OBJECTIVES	171
6.1	INTRODUCTION	171
6.2	LINEAR VELOCITY	172
	6.2.1 Linear Velocity of Rectilinear Points	172
	6.2.2 Linear Velocity of a General Point	173
	6.2.3 Velocity Profile for Linear Motion	174
6.3	VELOCITY OF A LINK	175
6.4	RELATIONSHIP BETWEEN LINEAR AND ANGULAR VELOCITIES	177
6.5	RELATIVE VELOCITY	179
6.6	GRAPHICAL VELOCITY ANALYSIS: RELATIVE VELOCITY METHOD	183
	6.6.1 Points on Links Limited to Pure Rotation or Rectilinear Translation	183
	6.6.2 General Points on a Floating Link	187
	6.6.3 Coincident Points on Different Links	191

6.7	VELOCITY IMAGE	194
6.8	ANALYTICAL VELOCITY ANALYSIS: RELATIVE VELOCITY METHOD	194
6.9	ALGEBRAIC SOLUTIONS FOR COMMON MECHANISMS	200
	6.9.1 Slider-Crank Mechanism	201
	6.9.2 Four-Bar Mechanism	201
6.10	INSTANTANEOUS CENTER OF ROTATION	202
6.11	LOCATING INSTANT CENTERS	202
	6.11.1 Primary Centers	203
	6.11.2 Kennedy's Theorem	205
	6.11.3 Instant Center Diagram	205
6.12	GRAPHICAL VELOCITY ANALYSIS: INSTANT CENTER METHOD	212
6.13	ANALYTICAL VELOCITY ANALYSIS: INSTANT CENTER METHOD	217
6.14	VELOCITY CURVES	220
	6.14.1 Graphical Differentiation	223
	6.14.2 Numerical Differentiation	226
	PROBLEMS	229
	CASE STUDIES	238

Chapter 7 Acceleration Analysis 241

	OBJECTIVES	241
7.1	INTRODUCTION	241
7.2	LINEAR ACCELERATION	241
	7.2.1 Linear Acceleration of Rectilinear Points	241
	7.2.2 Constant Rectilinear Acceleration	243
	7.2.3 Acceleration and the Velocity Profile	244
	7.2.4 Linear Acceleration of a General Point	245
7.3	ACCELERATION OF A LINK	246
	7.3.1 Angular Acceleration	246
	7.3.2 Constant Angular Acceleration	247
7.4	NORMAL AND TANGENTIAL ACCELERATION	248
	7.4.1 Tangential Acceleration	249
	7.4.2 Normal Acceleration	249
	7.4.3 Total Acceleration	250
7.5	RELATIVE MOTION	252
	7.5.1 Relative Acceleration	252
	7.5.2 Components of Relative Acceleration	256

7.6	RELATIVE ACCELERATION ANALYSIS: GRAPHICAL METHOD	258
7.7	RELATIVE ACCELERATION ANALYSIS: ANALYTICAL METHOD	268
7.8	ALGEBRAIC SOLUTIONS FOR COMMON MECHANISMS	272
	7.8.1 Slider-Crank Mechanism	272
	7.8.2 Four-Bar Mechanism	273
7.9	ACCELERATION OF A GENERAL POINT ON A FLOATING LINK	274
7.10	ACCELERATION IMAGE	280
7.11	CORIOLIS ACCELERATION	280
7.12	EQUIVALENT LINKAGES	288
7.13	ACCELERATION CURVES	288
	7.13.1 Graphical Differentiation	289
	7.13.2 Numerical Differentiation	291
	PROBLEMS	294
	CASE STUDIES	304

Chapter 8 Computer-Aided Mechanism Analysis 306

	OBJECTIVES	306
8.1	INTRODUCTION	306
8.2	SPREADSHEETS	306
8.3	USER-WRITTEN COMPUTER PROGRAMS	314
	8.3.1 Offset Slider-Crank Mechanism	315
	8.3.2 Four-Bar Mechanism	316
	PROBLEMS	317
	CASE STUDY	318

Chapter 9 Cams: Design and Kinematic Analysis 319

	OBJECTIVES	319
9.1	INTRODUCTION	319
9.2	TYPES OF CAMS	320
9.3	TYPES OF FOLLOWERS	321
	9.3.1 Follower Motion	321
	9.3.2 Follower Position	322
	9.3.3 Follower Shape	322
9.4	PRESCRIBED FOLLOWER MOTION	323
9.5	FOLLOWER MOTION SCHEMES	326
	9.5.1 Constant Velocity	327
	9.5.2 Constant Acceleration	328

	9.5.3	Harmonic Motion	330
	9.5.4	Cycloidal Motion	334
9.6		GRAPHICAL DISK CAM PROFILE DESIGN	340
	9.6.1	In-Line Knife-Edge Follower	341
	9.6.2	In-Line Roller Follower	342
	9.6.3	Offset Roller Follower	343
	9.6.4	Translating Flat-Faced Follower	344
	9.6.5	Pivoted Roller Follower	345
9.7		PRESSURE ANGLE	347
9.8		DESIGN LIMITATIONS	348
9.9		ANALYTICAL DISK CAM PROFILE DESIGN	350
	9.9.1	Knife-Edge Follower	350
	9.9.2	In-Line Roller Follower	353
	9.9.3	Offset Roller Follower	358
	9.9.4	Translating Flat-Faced Follower	359
9.10		CYLINDRICAL CAMS	362
	9.10.1	Graphical Cylindrical Cam Profile Design	362
	9.10.2	Analytical Cylindrical Cam Profile Design	363
9.11		THE GENEVA MECHANISM	363
		PROBLEMS	367
		CASE STUDIES	372

Chapter 10 Gears: Kinematic Analysis and Selection 374

		OBJECTIVES	374
10.1		INTRODUCTION	374
10.2		TYPES OF GEARS	376
10.3		SPUR GEAR TERMINOLOGY	378
10.4		INVOLUTE TOOTH PROFILES	382
10.5		STANDARD GEARS	384
10.6		RELATIONSHIPS OF GEARS IN MESH	387
	10.6.1	Center Distance	388
	10.6.2	Contact Ratio	389
	10.6.3	Interference	391
	10.6.4	Undercutting	393
	10.6.5	Backlash	394
	10.6.6	Operating Pressure Angle	396
10.7		SPUR GEAR KINEMATICS	397
10.8		SPUR GEAR SELECTION	400
	10.8.1	Diametral Pitch	400
	10.8.2	Pressure Angle	402
	10.8.3	Number of Teeth	402

10.9	RACK AND PINION KINEMATICS	409
10.10	HELICAL GEAR KINEMATICS	411
10.11	BEVEL GEAR KINEMATICS	415
10.12	WORM GEAR KINEMATICS	417
10.13	GEAR TRAINS	420
10.14	IDLER GEARS	424
10.15	PLANETARY GEAR TRAINS	425
	PROBLEMS	430
	CASE STUDIES	436

Chapter 11 Belt and Chain Drives 438

	OBJECTIVES	438
11.1	INTRODUCTION	438
11.2	BELTS	439
11.3	BELT DRIVE GEOMETRY	442
11.4	BELT DRIVE KINEMATICS	444
11.5	CHAINS	449
	11.5.1 Types of Chains	450
	11.5.2 Chain Pitch	451
	11.5.3 Multistrand Chains	451
	11.5.4 Sprockets	452
11.6	CHAIN DRIVE GEOMETRY	454
11.7	CHAIN DRIVE KINEMATICS	455
	PROBLEMS	458
	CASE STUDIES	461

Chapter 12 Screw Mechanisms 463

	OBJECTIVES	463
12.1	INTRODUCTION	463
12.2	THREAD FEATURES	464
12.3	THREAD FORMS	464
	12.3.1 Unified Threads	465
	12.3.2 Metric Threads	466
	12.3.3 Square Threads	466
	12.3.4 ACME Threads	467
12.4	BALL SCREWS	468
12.5	LEAD	469
12.6	SCREW KINEMATICS	470
12.7	SCREW FORCES AND TORQUES	475
12.8	DIFFERENTIAL SCREWS	478

12.9	AUGER SCREWS	480
	PROBLEMS	487
	CASE STUDIES	484

Chapter 13 Static Force Analysis 486

	OBJECTIVES	486
13.1	INTRODUCTION	486
13.2	FORCES	487
13.3	MOMENTS AND TORQUES	487
13.4	LAWS OF MOTION	491
13.5	FREE-BODY DIAGRAMS	491
	13.5.1 Drawing a Free-Body Diagram	491
	13.5.2 Characterizing Contact Forces	492
13.6	STATIC EQUILIBRIUM	494
13.7	ANALYSIS OF A TWO-FORCE MEMBER	495
13.8	SLIDING FRICTION FORCE	502
	PROBLEMS	505
	CASE STUDY	509

Chapter 14 Dynamic Force Analysis 510

	OBJECTIVES	510
14.1	INTRODUCTION	510
14.2	MASS AND WEIGHT	511
14.3	CENTER OF GRAVITY	511
14.4	MASS MOMENT OF INERTIA	513
	14.4.1 Mass Moment of Inertia of Basic Shapes	514
	14.4.2 Radius of Gyration	516
	14.4.3 Parallel Axis Theorem	517
	14.4.4 Composite Bodies	518
	14.4.5 Mass Moment of Inertia—Experimental Determination	520
14.5	INERTIAL FORCE	520
14.6	INERTIAL TORQUE	527
	PROBLEMS	535
	CASE STUDY	539

Answers to Selected Even-Numbered Problems 540

References 545

Index 546